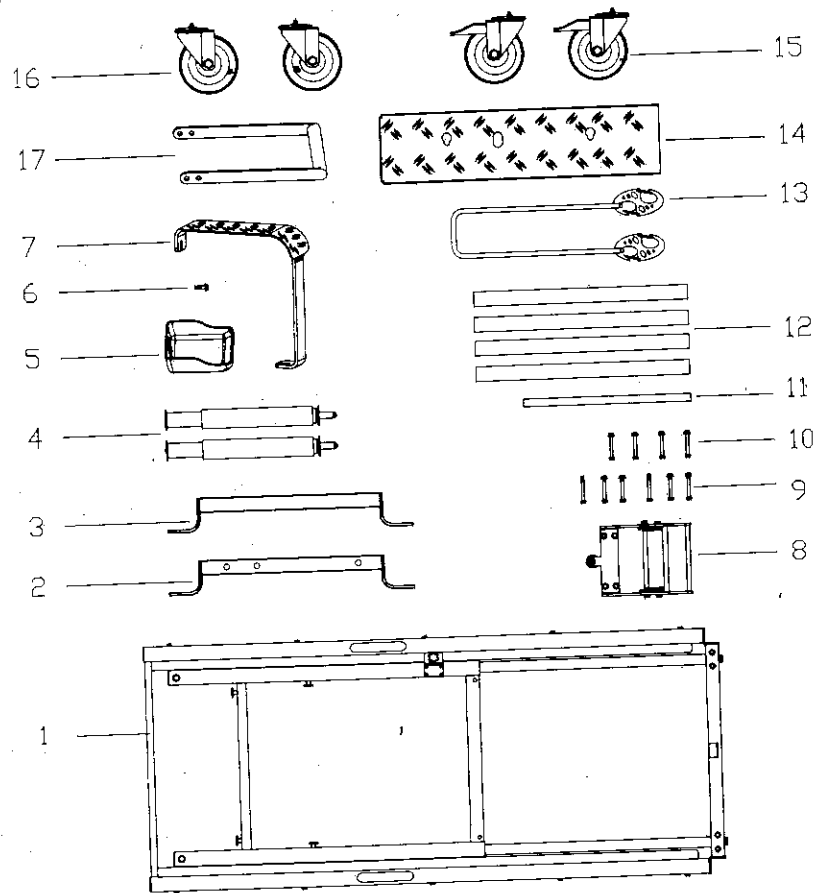


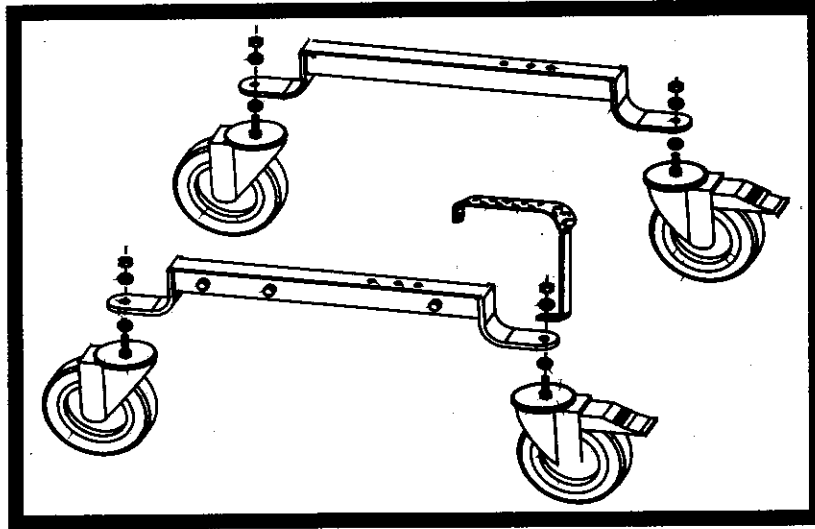
**Assembly****Parts Diagram****Parts List**

Item #	Parts Name	QTY	Illustration / Part #
1	Main Unit	1	TH02-100-0000
2	Leg Bar A	1	TH02-201-0001
3	Leg Bar B	1	TH02-201-0002
4	Roller	2	TH02-110-0000
5	Hardware Basket	1	TH01-500-0001
6	Footrest Bolt	1	TH02-700-0002
7	Footrest	1	TH02-700-0001
8	Foot Pedal	1	TH03-112-0000
9	Hardware Kit A	1	TH01-601-0000
10	Hardware Kit B	1	TH01-602-0000
11	Foam Strip B	1	TH02-500-0002
12	Foam Strip A	4	TH02-500-0001
13	Rubber Band	1	TH01-500-0003
14	Tire Ramp	1	TH03-800-0001
15	Large Wheel with lock	2	TH03-400-0001
16	Large Wheel	2	TH03-400-0002
17	Extended Step	1	TH03-800-0002

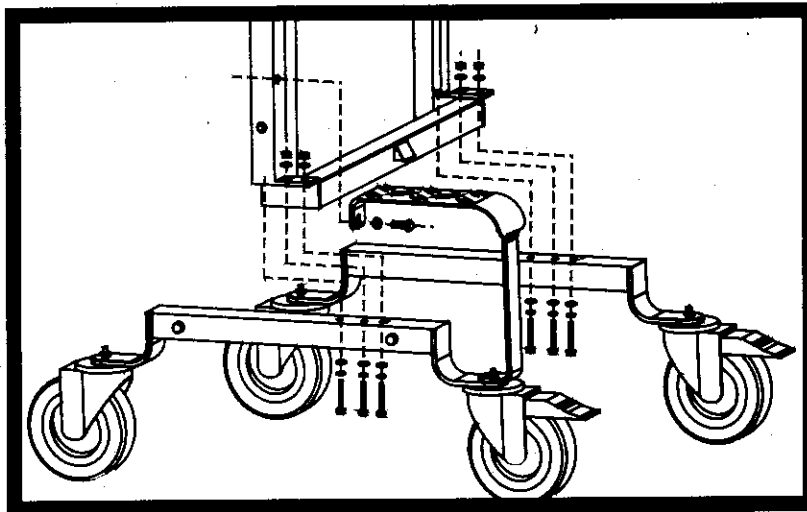
(English)

## Installation Procedure

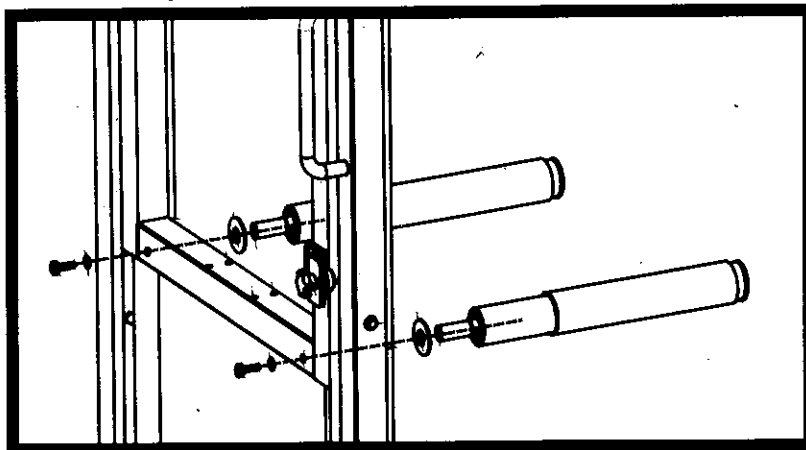
1. Mount two large wheels to the front of the carriers and the two large wheels with brakes to the rear of the carriers. Caution: when mounting the left wheel with brake, also attach the foot support.



2. Mount the left and right carrier to the frame as shown below. For this, please use hardware kit A.

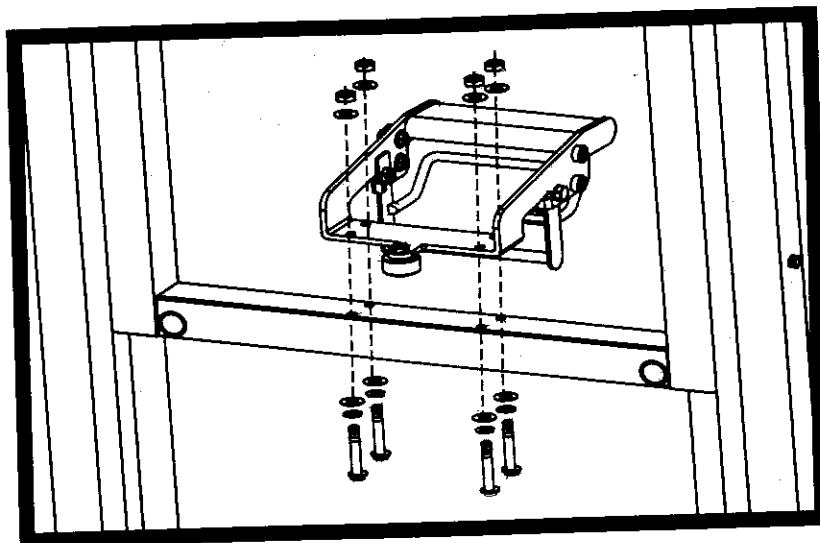


3. Install two rollers by fastening bolts from the opposite side of the frame.

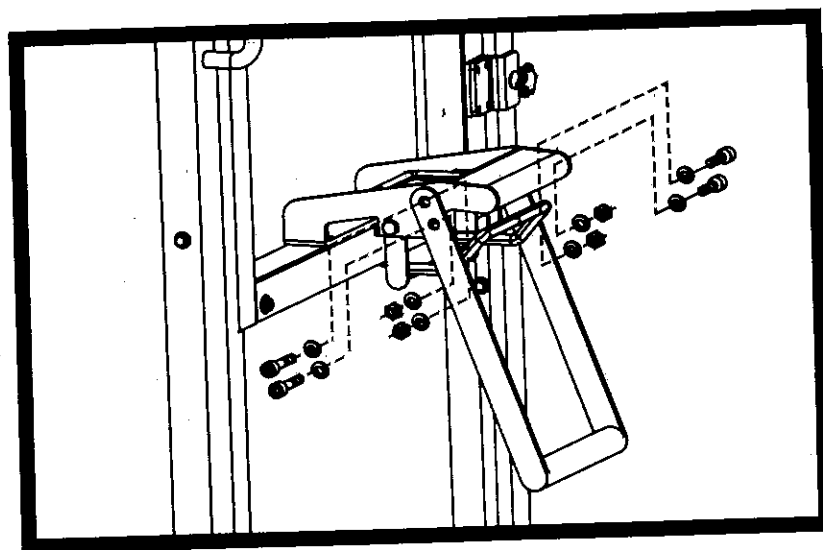


(English)

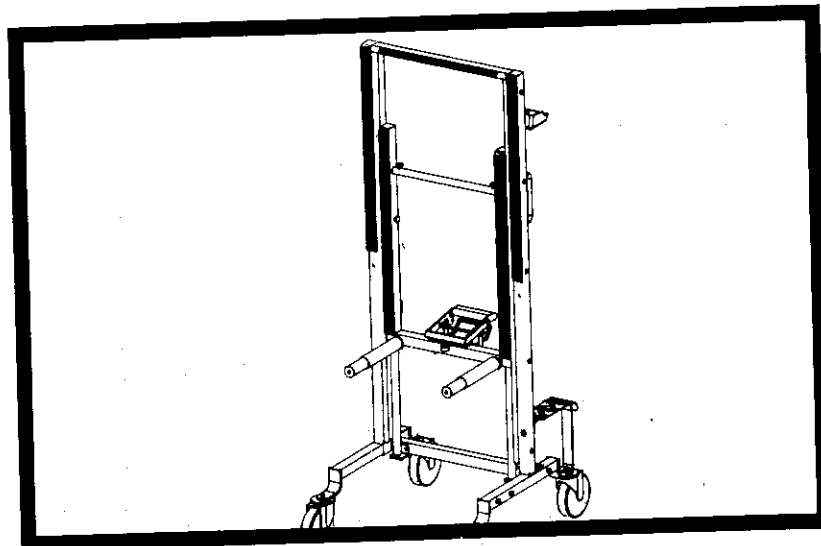
4. Install foot pedal on moving frame as shown below. For this, please use hardware kit B.



5. Install extended step onto foot pedal using the hardware.

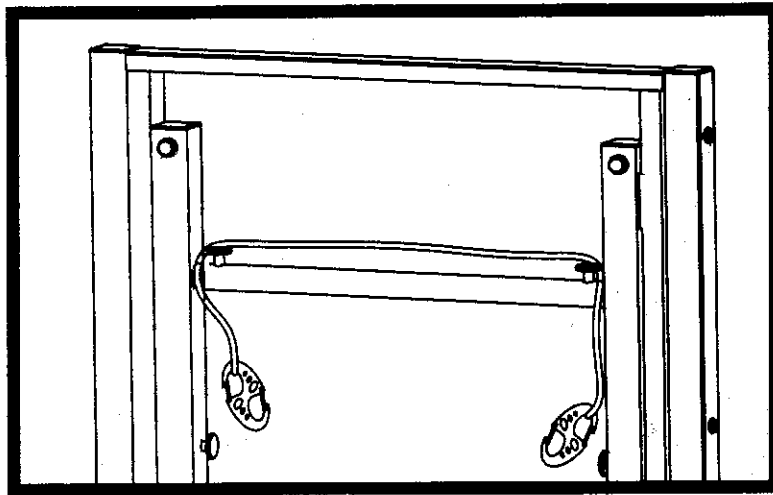


6. Attach self-adhere foam strips.

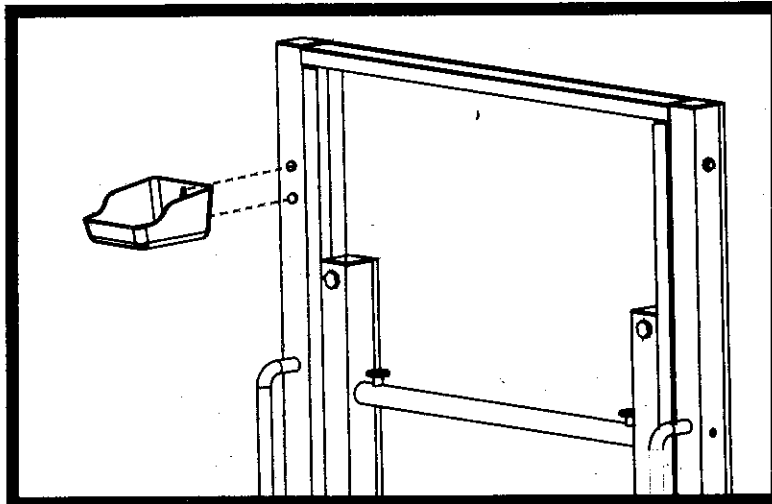


(English)

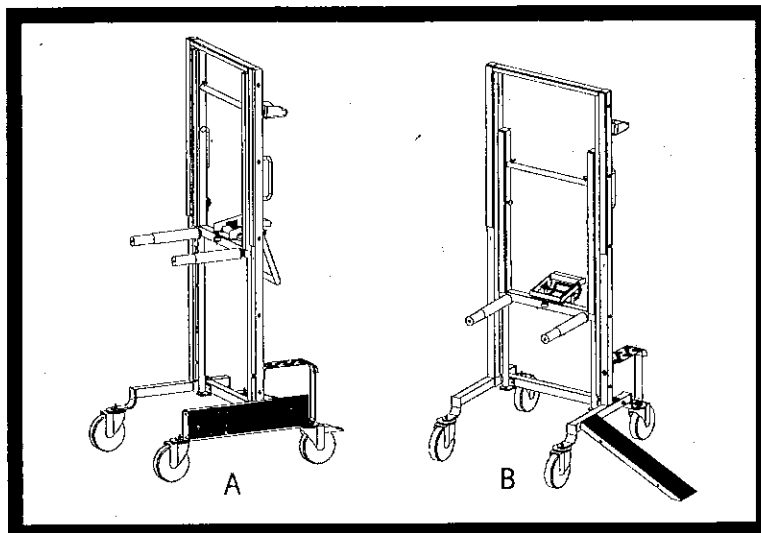
7. Use both ends of the rubber band to secure it to the lifting frame and secure it on the horizontal bar.



8. Attach hardware basket to the left side of main frame.

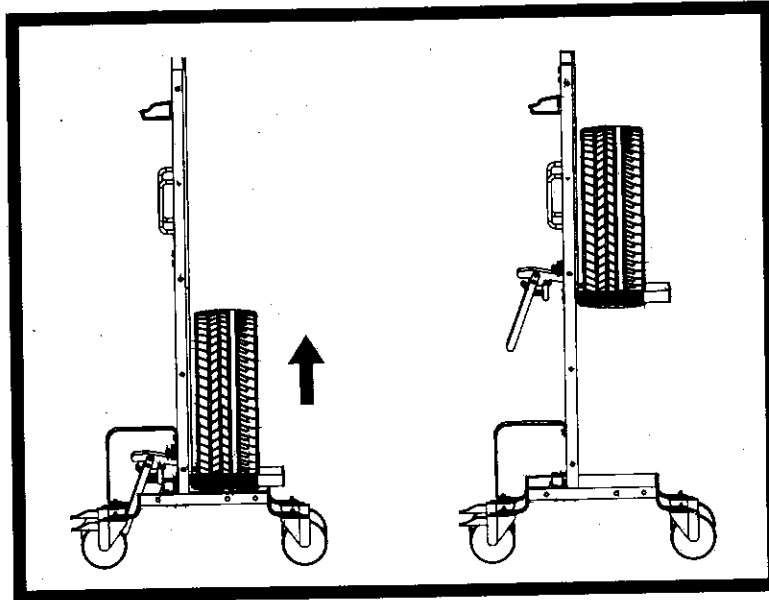


9. Place tire ramp on position A for moving Wheel Assist; on position B for loading and unloading wheel.



(English)

10. The sliding tube must be in back position while a tire is picked up and lifted.



11. When the tire is lifted and positioned at required height, pushing the tire forward for mounting, the sliding tube will move forward along with the tire movement.

