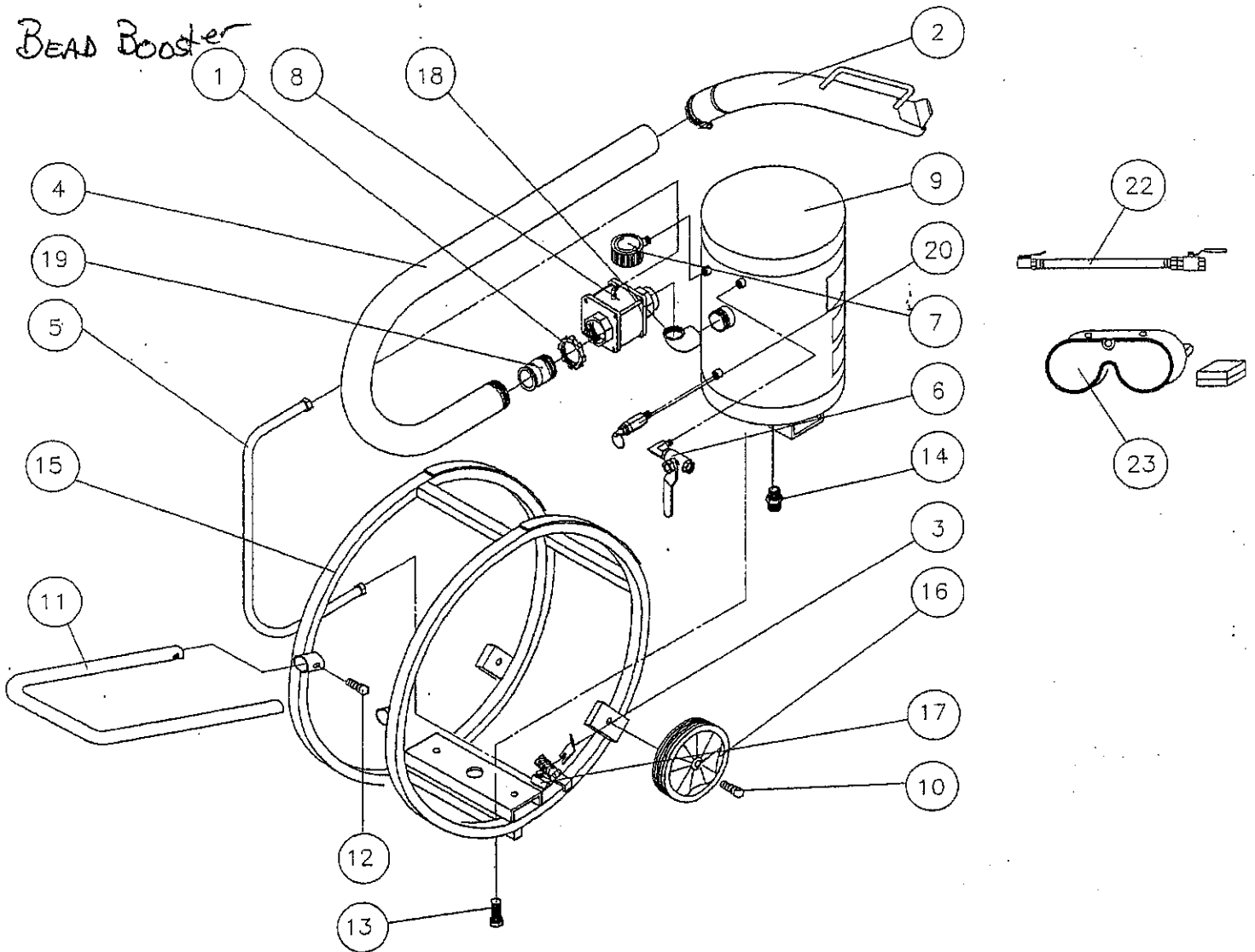


GB-8A

Repair Parts

BEAD BOOSTER



NO.	NAME	QTY	NOTE	NO.	NAME	QTY	NOTE
1	LOCK NUT	1	1 1/2"	13	HEXAGON SOCKET SET SCREW	2	1/2"X1 1/4"L
2	45 DEGREE BARREL	1		14	WATER RELEASE VALVE	1	1/4"
3	SAFETY INSERT CUP	1		15	BRACKET	1	
4	RUBBER HOUSE	1	1 1/2"X72"L	16	NYLON WHEEL	2	
5	NYLON HOUSE	1	1.DØ4mm 0.DØ6mm	17	RELEASE VALVE	1	1/8"
6	INTANK VALVE	1	1/4"	18	45 DEGREE NPT	1	
7	PRESSURE GAUGE	1	1/4"X2	19	NIPPLE	1	1 1/2"
8	EXHAUST VALVE	1	1 1/2"PT	20	SAFETY VALVE	1	1/4"
9	AIR TANK	1	8 GALLON	21	FOOT PEDAL TRIGGER	1	
10	HEXAGON SOCKET SET SCREW	2	1/2"X1"L	22	AIR-WHIP HOSE	1	
11	HAND	1		23	SAFETY PACK	1	
12	HEXAGON SOCKET SET SCREW	2	5/16"X5/8"L				