

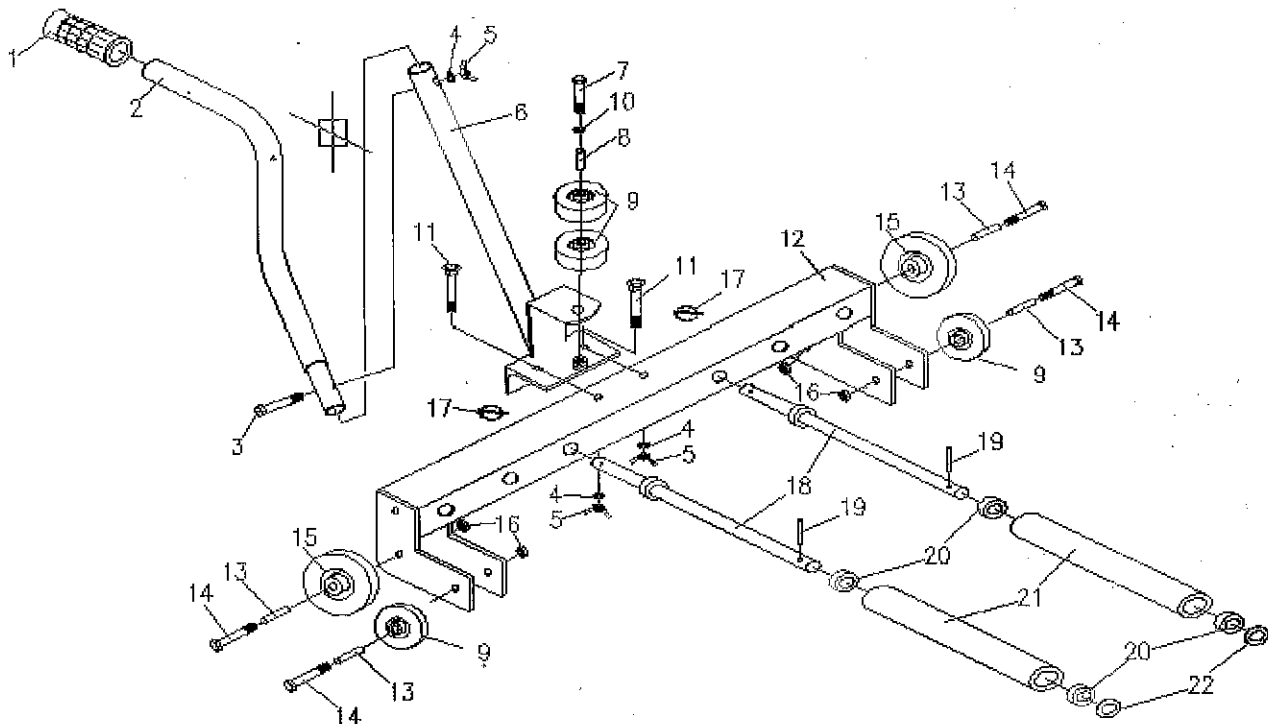


Features:

- Heavy duty dolly lifts up to 220 kgs (485 lbs).
- Promotes safety in the work place by eliminating the need for a technician to lift heavy commercial wheels and tires.
- Adjustable rollers with industrial bearings for easy operation.

Warning:

This product should **ONLY** be used to remove, transport, and place tires and wheels under the rated capacity, and should **NEVER** be used for tire maintenance or service purposes including loosening oxidized wheels. Please see Winntec's Y471180 Wheel Breaker Set for assistance with this problem on the last page.



Y471105

Pos.	Art.no.	Description	Pos.	Art.no.	Description
1	Y471105-1	handle sleeve	12	Y471105-12	base frame
2	Y471105-2	rear handle	13	Y471105-13	bushing
3	Y471105-3	bolt	14	Y471105-14	screw
4	Y471105-4	spring washer	15	Y471105-15	Black rubber wrapped iron wheel
5	Y471105-5	wing nut	16	Y471105-16	lock nut
6	Y471105-6	front handle	17	Y471105-17	snap pin
7	Y471105-7	screw	18	Y471105-18	axostyle
8	Y471105-8	bushing	19	Y471105-19	spring pin
9	Y471105-9	white nylon wheel	20	Y471105-20	axletree
10	Y471105-10	washer	21	Y471105-21	bushing
11	Y471105-11	bolt	22	Y471105-22	washer