



# Air-operated Hydraulic Pressure Jack

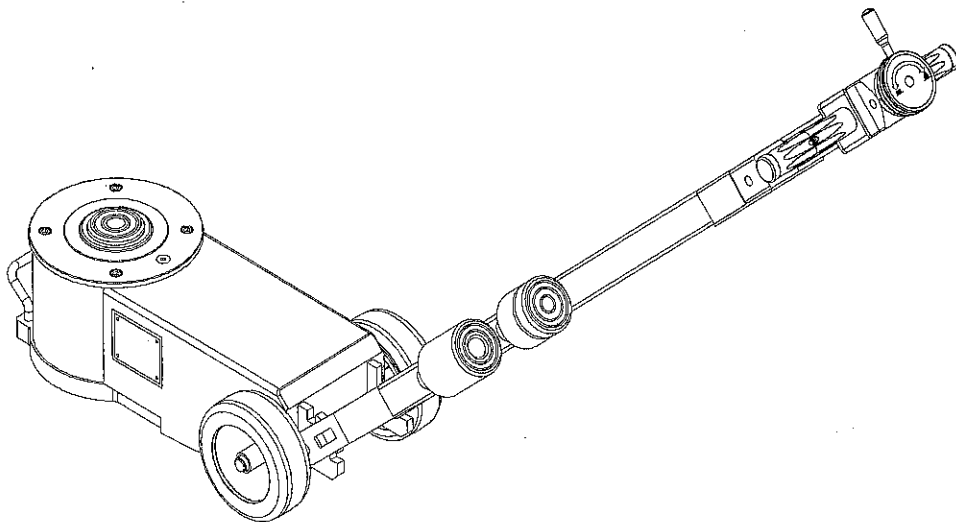
## GT-4532

## Manual

Min.H.: 150 mm

Stroke: 130 mm

EN - DE - NL



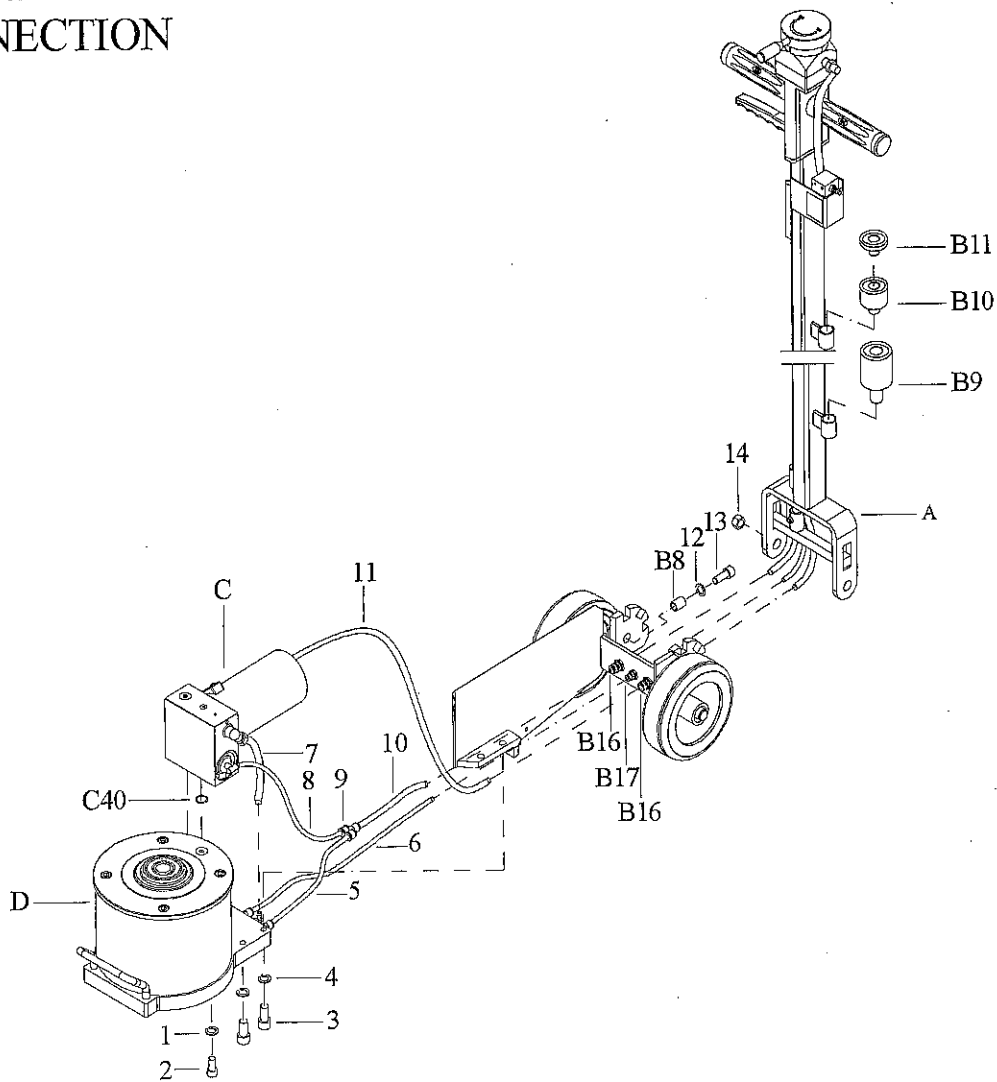
Gaither Tool Company, Inc.  
21 Harold Cox Dr.  
Jacksonville, IL 62650  
USA  
T 217-245-0545  
F 217-245-0940



Gaither Europe BV  
Vijfhuizenberg 167  
4708AJ  
Roosendaal  
The Netherlands  
T +31-165-554475  
F +31-165-568691

Onderdelentekening

# WINDPIPE CONNECTION

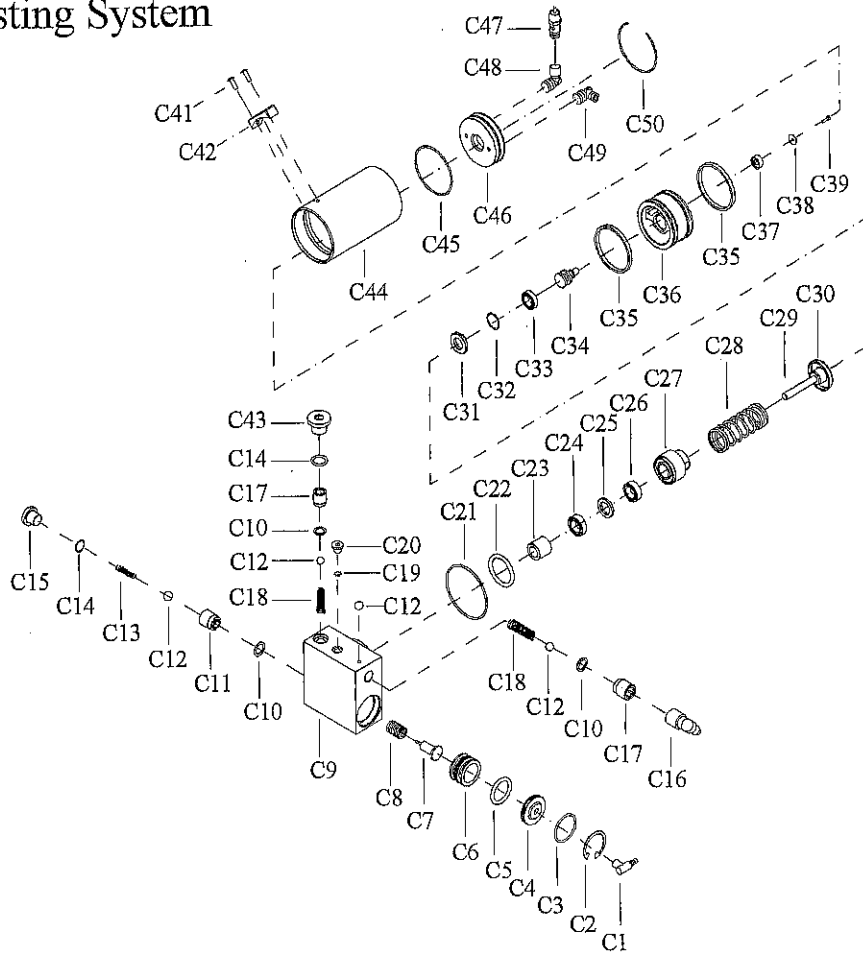


No.	PART NAME	QTY	No.	PART NAME	QTY	No.	PART NAME	QTY
1	M8 Spring Gasket	4	10	Windpipe	1	B11	Extension Rod 20mm	1
2	M8 Screw	4	11	Windpipe	1	B16	Adaptor	2
3	M10 Screw	4	12	M10 Gasket	2	B17	Adaptor	1
4	M10 Spring Gasket	4	13	M10 Gasket	2	C	Boosting System	1
5	Windpipe	1	14	M10 Bolt	2	C40	O Ring	1
6	Windpipe	1	A	Operation Rod(FL)	1	D	4532 Oil Cylinder	1
7	Windpipe	1	B8	Screw thread insert	2			
8	Windpipe	1	B9	Extension Rod 80mm	1			
9	Adaptor	1	B10	Extension Rod 40mm	1			

GT-4532 EXPLODED VIEW

Picture A

## Boosting System

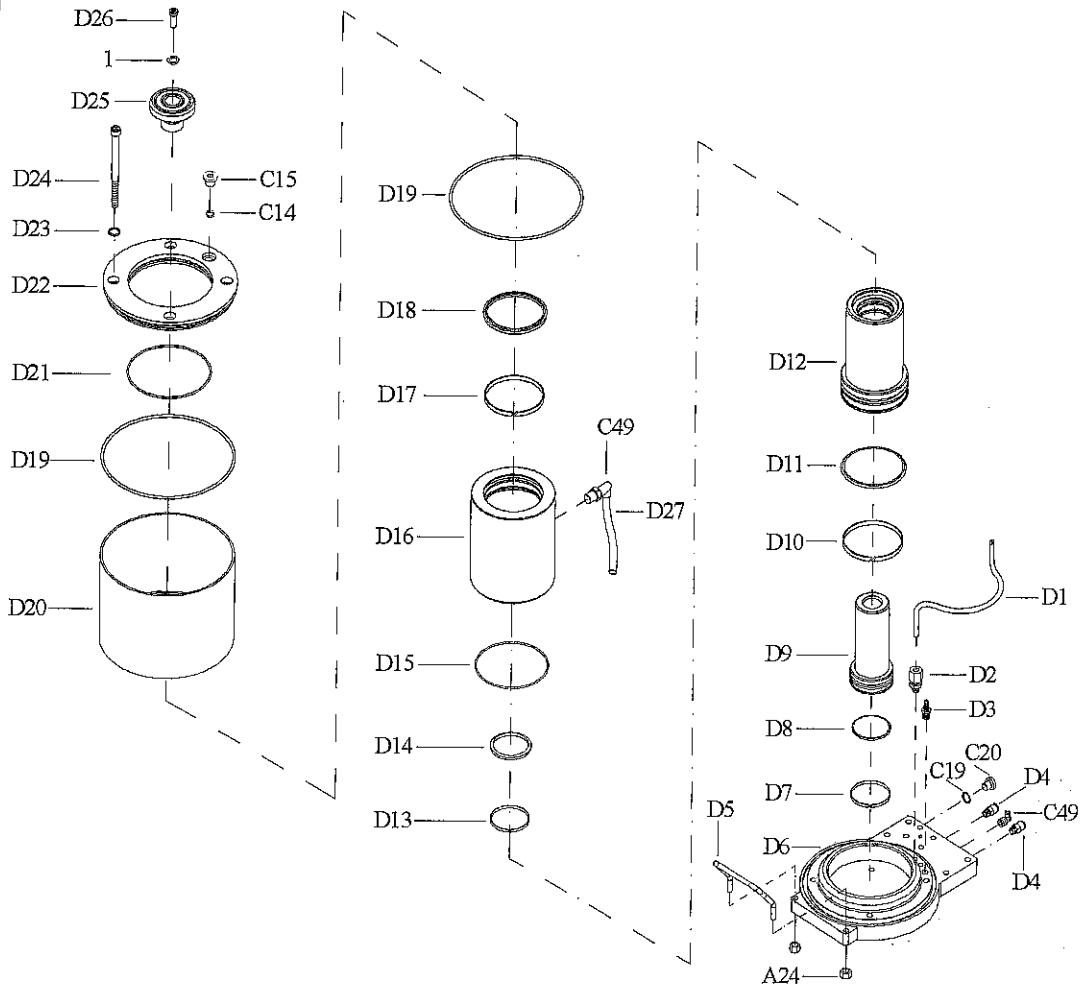


No.	PART NAME	QTY	No.	PART NAME	QTY	No.	PART NAME	QTY
C1	Adaptor	1	C18	Spring	2	C35	Gly Ring	2
C2	Retaining Ring	1	C19	O Ring	1	C36	Piston	1
C3	O Ring	1	C20	Screw-plug	1	C37	Sealing Gasket	1
C4	Fuel Return Piston Cover	1	C21	O Ring	1	C38	Sealing Gasket strength-point	1
C5	O Ring	1	C22	O Ring	1	C39	Screw	1
C6	Fuel Return Piston	1	C23	Shaft Sleeve of Hydraulic Pump	1	C41	Screw	2
C7	Fuel Return Thimble	1	C24	IDI-11.2*21.2*8	1	C42	Vent Cover	1
C8	Fuel Return Spring	1	C25	Gasket of Hydraulic Pump	1	C43	Screw-plug	1
C9	Hydraulic Intergration	1	C26	IDI-11.2*19.2*5	1	C44	Boosting cylinder	1
C10	Gasket	3	C27	Hydraulic Pump	1	C45	O Ring	1
C11	Screw-plug	1	C28	Spring	1	C46	Cover	1
C12	Steel Ball	4	C29	Piston rod	1	C47	Safe Valve	1
C13	Spring	1	C30	Cover	1	C48	Adaptor	1
C14	O Ring	2	C31	Cover	1	C49	Adaptor	1
C15	Screw-plug	1	C32	O Ring	1	C50	Retaining Ring	1
C16	Adaptor	1	C33	Sealing kit	1			
C17	Screw-plug	2	C34	Piston	1			

Boosting System Drawings

Picture B

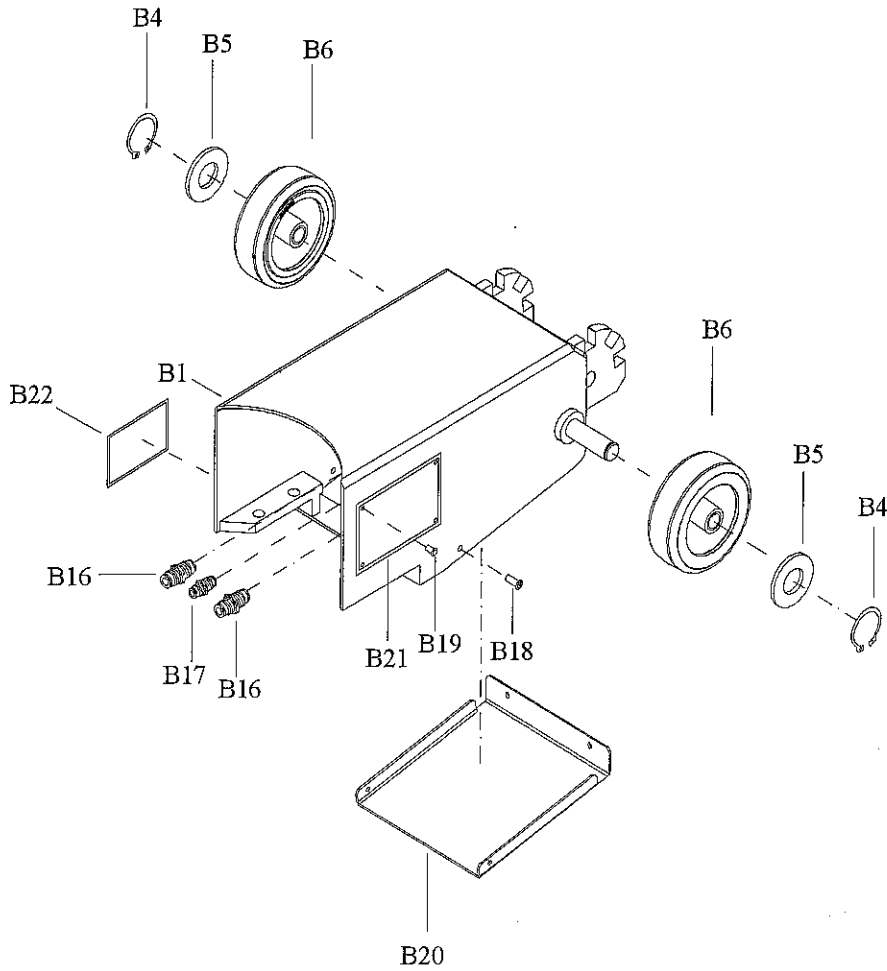
# GT-4532 Oil Cylinder



No.	PART NAME	QTY	No.	PART NAME	QTY	No.	PART NAME	QTY
1	M8 Spring Gasket	1	D6	45FLS Bottom	1	D18	Dustband	1
A24	M8 Bolt	2	D7	20TILS Wearing Ring	1	D19	O Ring	2
C14	O Ring	1	D8	20TILS Glyd Ring	1	D20	Oil Tank	1
C15	Screw-plug	1	D9	20TILS Piston	1	D21	O Ring	1
C19	O Ring	1	D10	45TILS Wearing Ring	1	D22	Cover of Oil Tank	1
C20	Screw-plug	1	D11	45TILS Glyd Ring	1	D23	Gasket	4
C49	Adaptor	2	D12	20TILS Oil Cylinder	1	D24	Screw	4
D1	Tube for Oil Tank	1	D13	20TILS Wearing Ring	1	D25	Short Extension Rod	1
D2	Adaptor	1	D14	Dustband	1	D26	Screw	1
D3	Adaptor	1	D15	O Ring	1	D27	Windpipe	1
D4	Adaptor	2	D16	45TILS Oil Cylinder	1			
D5	Handle FLS	1	D17	45TILS Wearing Ring	1			

Oil Cylinder Drawings  
Picture C

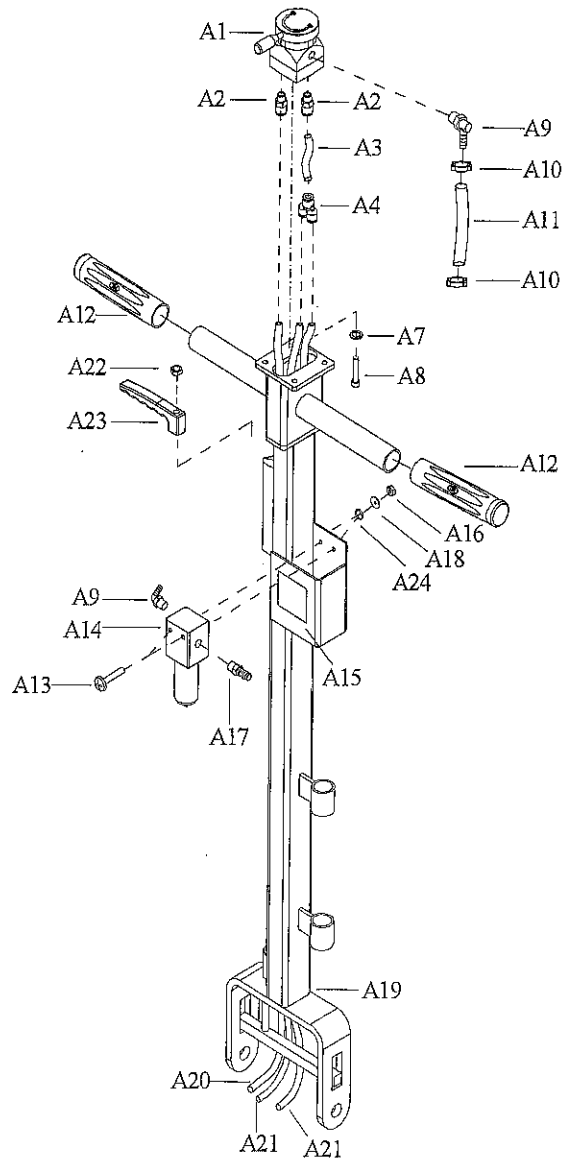
# GT-4532 Frame



No.	PART NAME	QTY	No.	PART NAME	QTY
B1	Frame	1	B18	Screw	4
B4	Outer Retainer Ring	2	B19	Nail	4
B5	Truckle Gasket	2	B20	Protected Plate	1
B6	Truckle	2	B21	Nameplate	1
B16	Adaptor	2	B22	Label	1
B17	Adaptor	1			

Frame Drawings  
Picture D

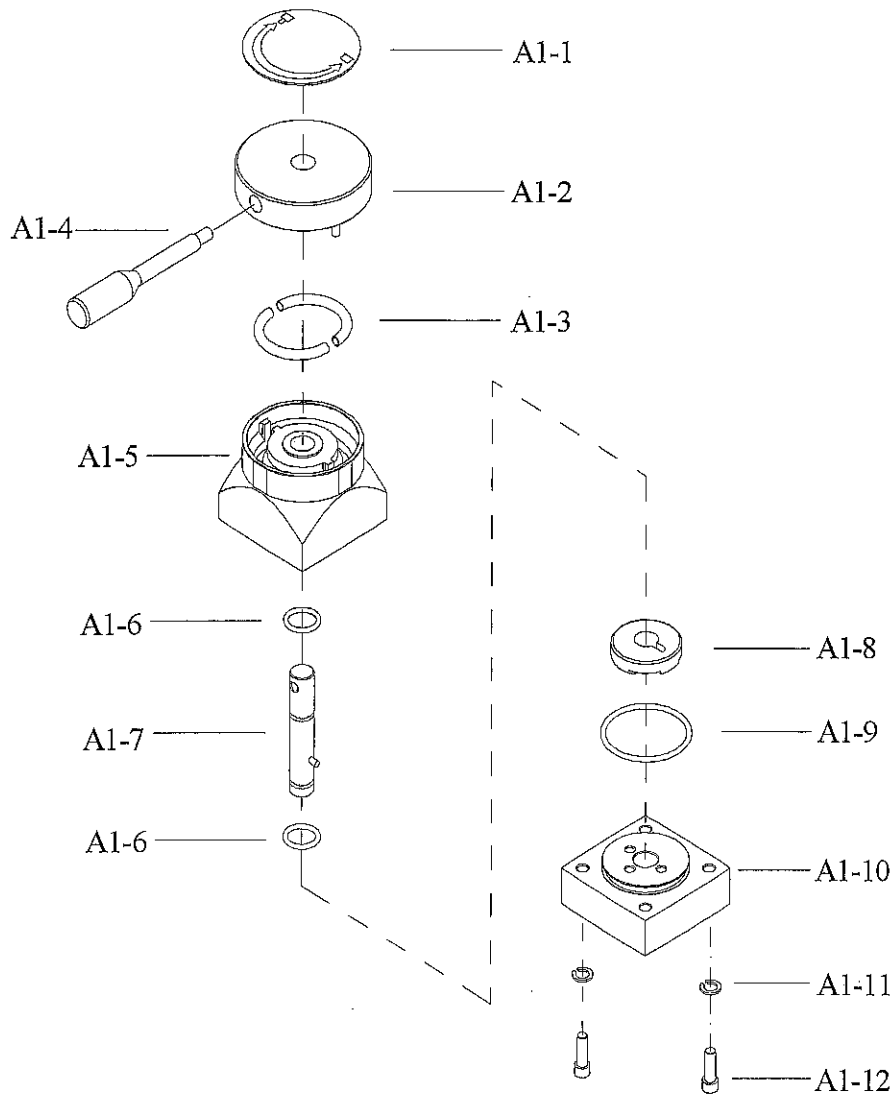
# Operation Rod FL



No.	PART NAME	QTY	No.	PART NAME	QTY	No.	PART NAME	QTY
A1	Hand Valve	1	A11	Oil Pipe	1	A19	Main Body FL	1
A2	Adaptor	2	A12	Handle Cover	2	A20	Windpipe	1
A3	Windpipe	1	A13	Screw	2	A21	Windpipe	2
A4	Adaptor	1	A14	Filter	1	A22	Screw	1
A7	Spring Gasket	1	A15	Filter Instruction	1	A23	Handle	1
A8	Screw	2	A16	Screw	2	A24	Gasket	2
A9	Adaptor	2	A17	Adaptor	1			
A10	Lock Code	2	A18	Spring Gasket	2			

Operation Rod Exploded View  
Picture E

# Hand Valve



No.	PART NAME	QTY	No.	PART NAME	QTY
A1-1	Label	1	A1-8	Valve Core	1
A1-2	Cover of Hand Valve	1	A1-9	O Ring	1
A1-3	Return Spring of Hand Valve	2	A1-10	Conversion Base	1
A1-4	Controlling Handle	1	A1-11	Spring Gasket	2
A1-5	Cover of Reversing Valve	1	A1-12	Screw	2
A1-6	O Ring	2			
A1-7	Shaft	1			

Hand Valve  
Picture F