



Air-operated Hydraulic Pressure Jack

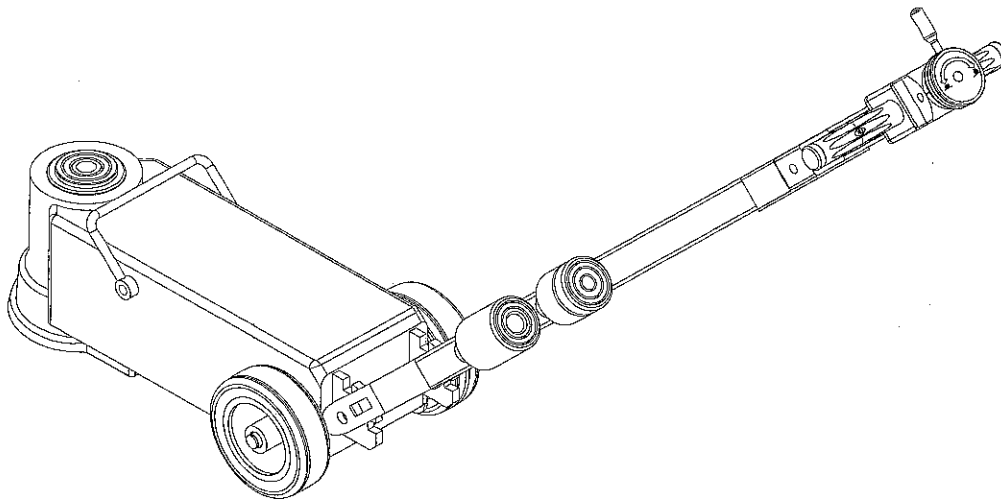
GT-3531

Manual

Min.H.: 185 mm

Stroke: 99 mm

EN - DE - NL



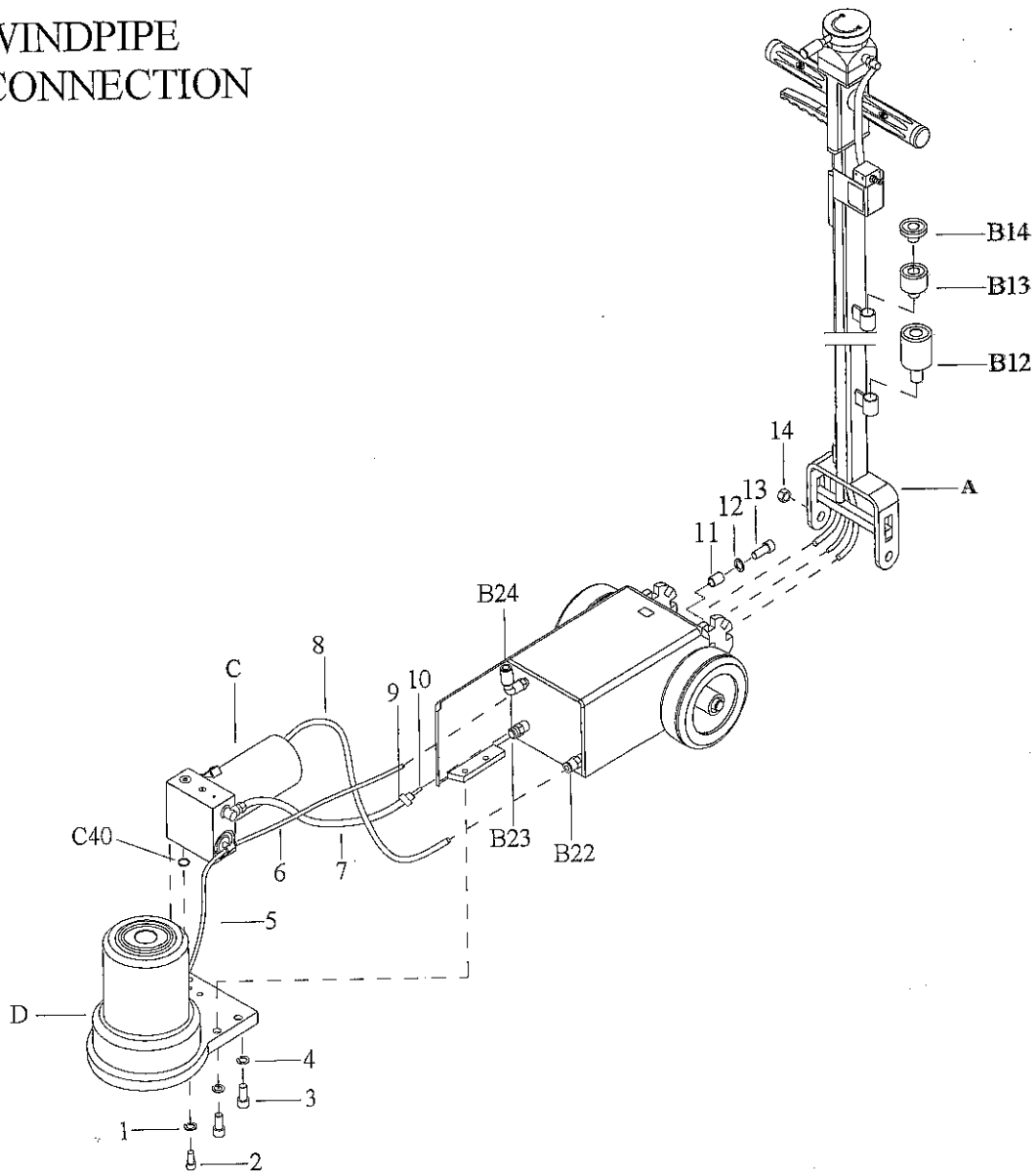
Gaither Tool Company, Inc.
21 Harold Cox Dr.
Jacksonville, IL 62650
USA
T 217-245-0545
F 217-245-0940



Gaither Europe BV
Vijfhuizenberg 167
4708AJ
Roosendaal
The Netherlands
T +31-165-554475
F +31-165-568691

Onderdelentekening

WINDPIPE
CONNECTION

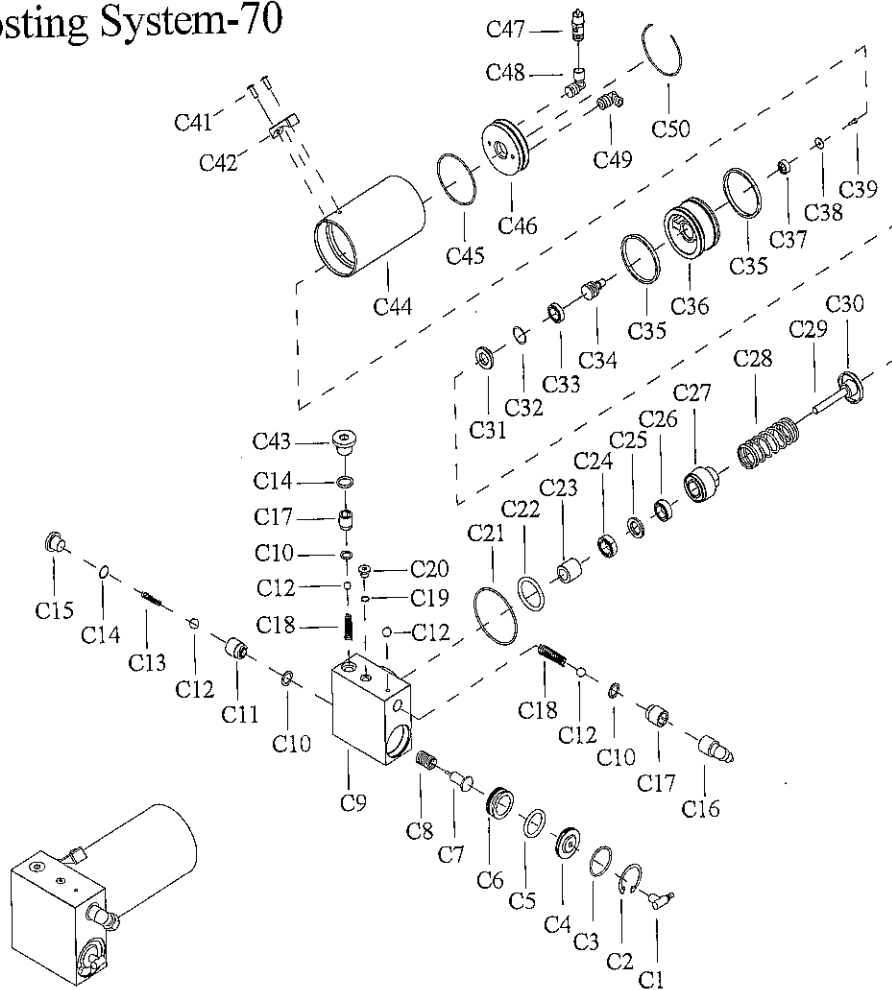


No.	PART NAME	QTY	No.	PART NAME	QTY	No.	PART NAME	QTY
1	M8 Spring Gasket	4	9	Lock Code	2	B13	Extension Rod 40mm	1
2	M8 Screw	4	10	Adaptor	2	B14	Extension Rod 20mm	1
3	M10 Screw	4	11	Screw thread insert	2	B22	Adaptor	4
4	M10 Spring Gasket	4	12	M10 Gasket	2	B23	Adaptor	1
5	Windpipe	1	13	M10 Gasket	2	B24	Adaptor	1
6	Windpipe	1	14	M10 Bolt	2	C	Boosting System-70	1
7	Oil Pipe	1	A	Operation Rod FL	1	C40	O Ring	1
8	Windpipe	1	B12	Extension Rod 80mm	1	D	3531 Oil Cylinder	1

GT-3531 EXPLODED VIEW

Picture A

Boosting System-70

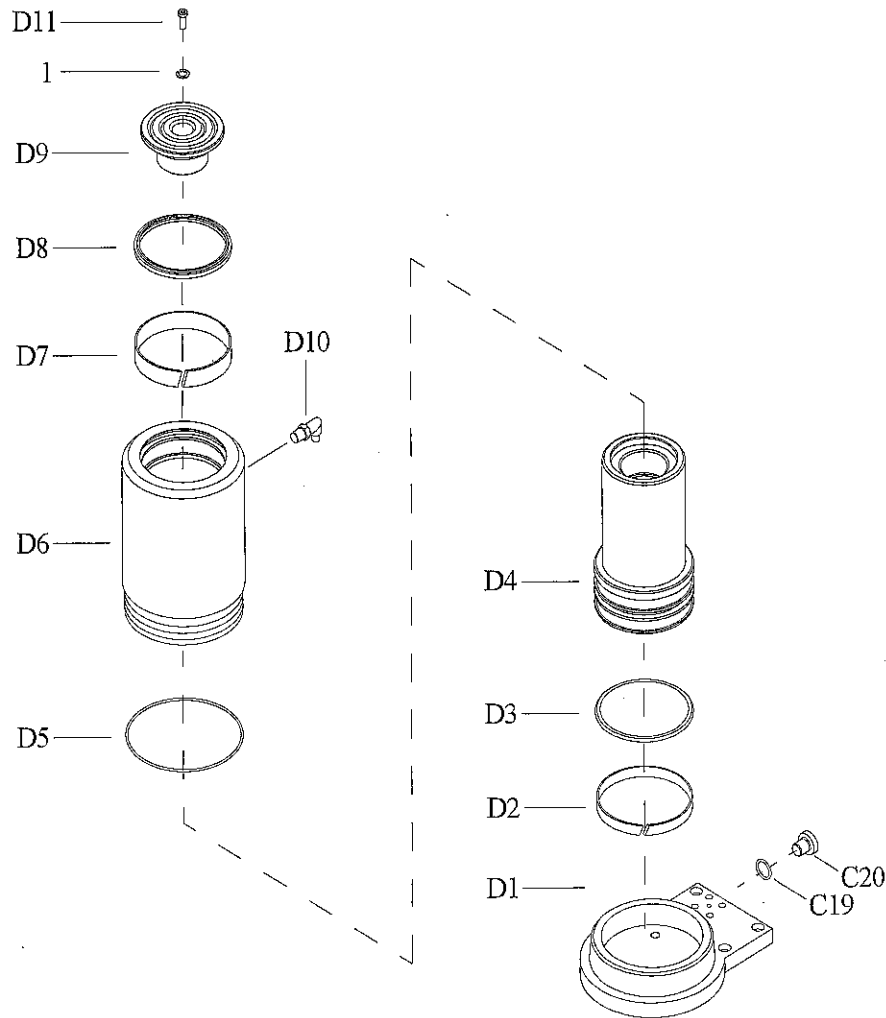


No.	PART NAME	QTY	No.	PART NAME	QTY	No.	PART NAME	QTY
C1	Adaptor	1	C18	Spring	2	C35	Gly Ring	2
C2	Retaining Ring	1	C19	O Ring	1	C36	Piston	1
C3	O Ring	1	C20	Screw-plug	1	C37	Sealing Gasket	1
C4	Fuel Return Piston Cover	1	C21	O Ring	1	C38	Sealing Gasket strength-point	1
C5	O Ring	1	C22	O Ring	1	C39	Screw	1
C6	Fuel Return Piston	1	C23	Shaft Sleeve of Hydraulic Pump	1	C41	Screw	2
C7	Fuel Return Thimble	1	C24	IDI-9*19*8	1	C42	Vent Cover	1
C8	Fuel Return Spring	1	C25	Gasket of Hydraulic Pump	1	C43	Screw-plug	1
C9	Hydraulic Intergration	1	C26	IDI-9*17*5	1	C44	Boosting cylinder	1
C10	Gasket	3	C27	Hydraulic Pump	1	C45	O Ring	1
C11	Screw-plug	1	C28	Spring	1	C46	Cover	1
C12	Steel Ball	4	C29	Piston rod	1	C47	Safe Valve	1
C13	Spring	1	C30	Cover	1	C48	Adaptor	1
C14	O Ring	2	C31	Cover	1	C49	Adaptor	1
C15	Screw-plug	1	C32	O Ring	1	C50	Retaining Ring	1
C16	Adaptor	1	C33	Sealing kit	1			
C17	Screw-plug	2	C34	Piston	1			

Boosting System Drawings

Picture B

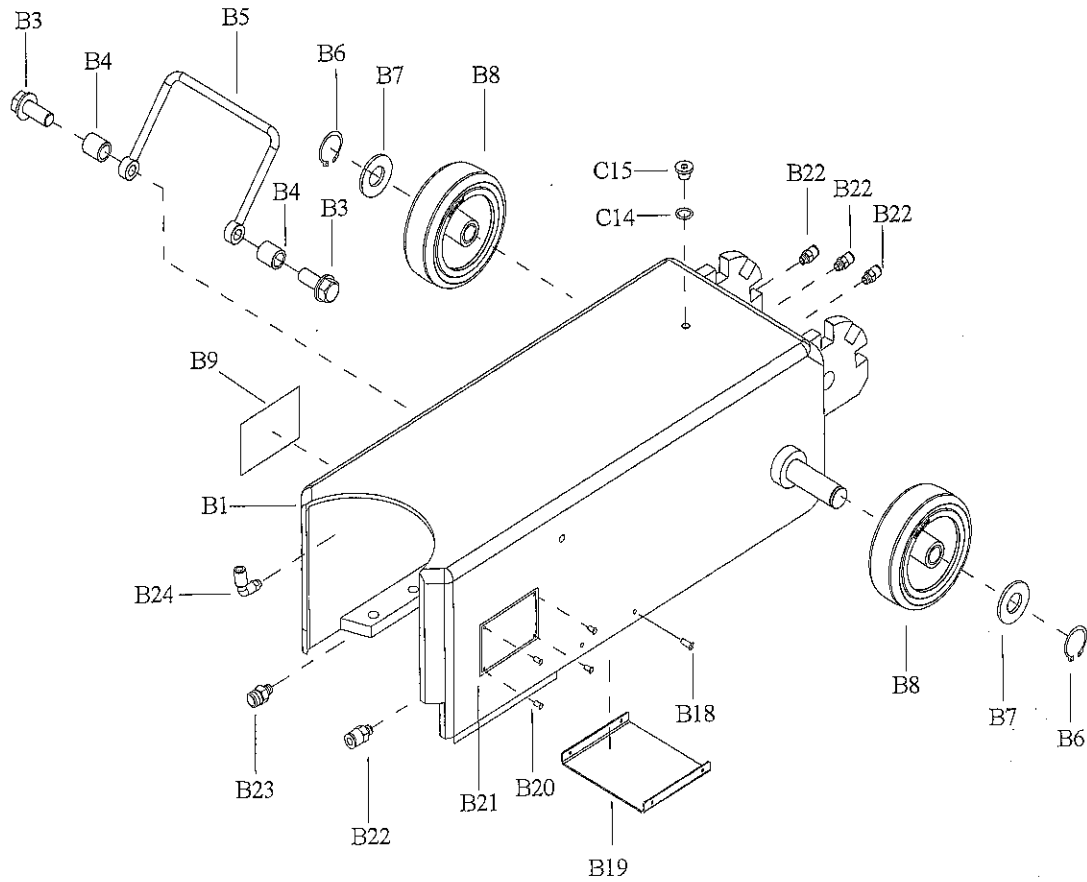
GT-3531 Oil Cylinder



No.	PART NAME	QTY	No.	PART NAME	QTY
1	M8 Spring Gasket	1	D5	O Ring	1
C19	O Ring	1	D6	35T1NVL Oil Cylinder	1
C20	Screw-plug	1	D7	Wearing Ring	1
D1	35NCL Bottom	1	D8	Dustband	1
D2	35T1NVL Wearing Ring	1	D9	Short Extension Rod	1
D3	Glyd Ring	1	D10	Adaptor	1
D4	35T1NVL Piston	1	D11	Adaptor	1

Oil Cylinder Drawings
Picture C

GT-3531 Frame

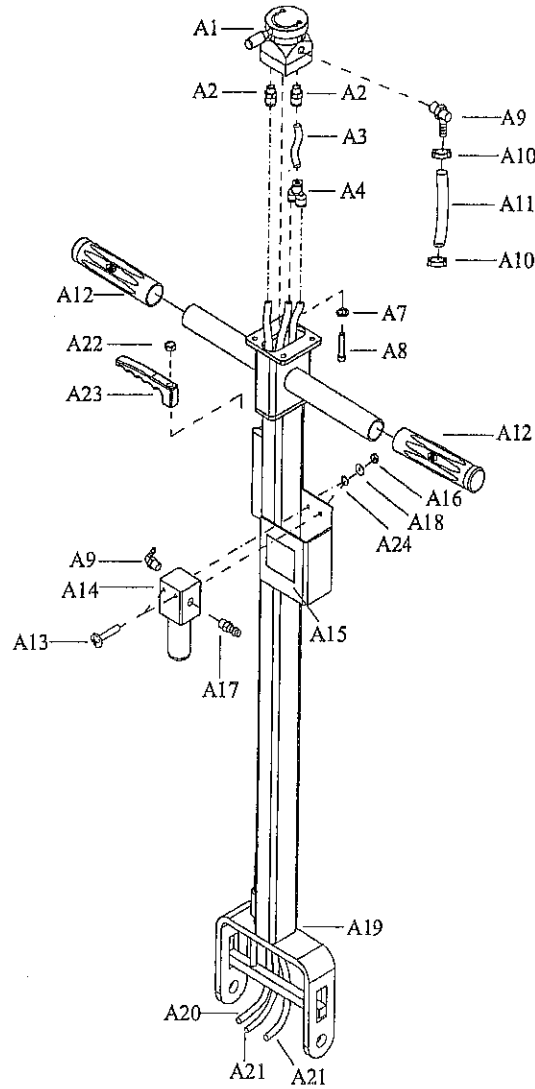


No.	PART NAME	QTY	No.	PART NAME	QTY
B1	Frame	1	B19	Protected Plate	1
B3	screw	2	B20	Nail	4
B4	Screw-Plug	2	B21	Nameplate	1
B5	Handle	1	B22	Adaptor	4
B6	Outer Retainer Ring	2	B23	Adaptor	1
B7	Truckle Gasket	2	B24	Adaptor	1
B8	Truckle	2	C14	O Ring	1
B9	Label	1	C15	Screw-plug	1
B18	Screw	4			

Frame Drawings
Picture D



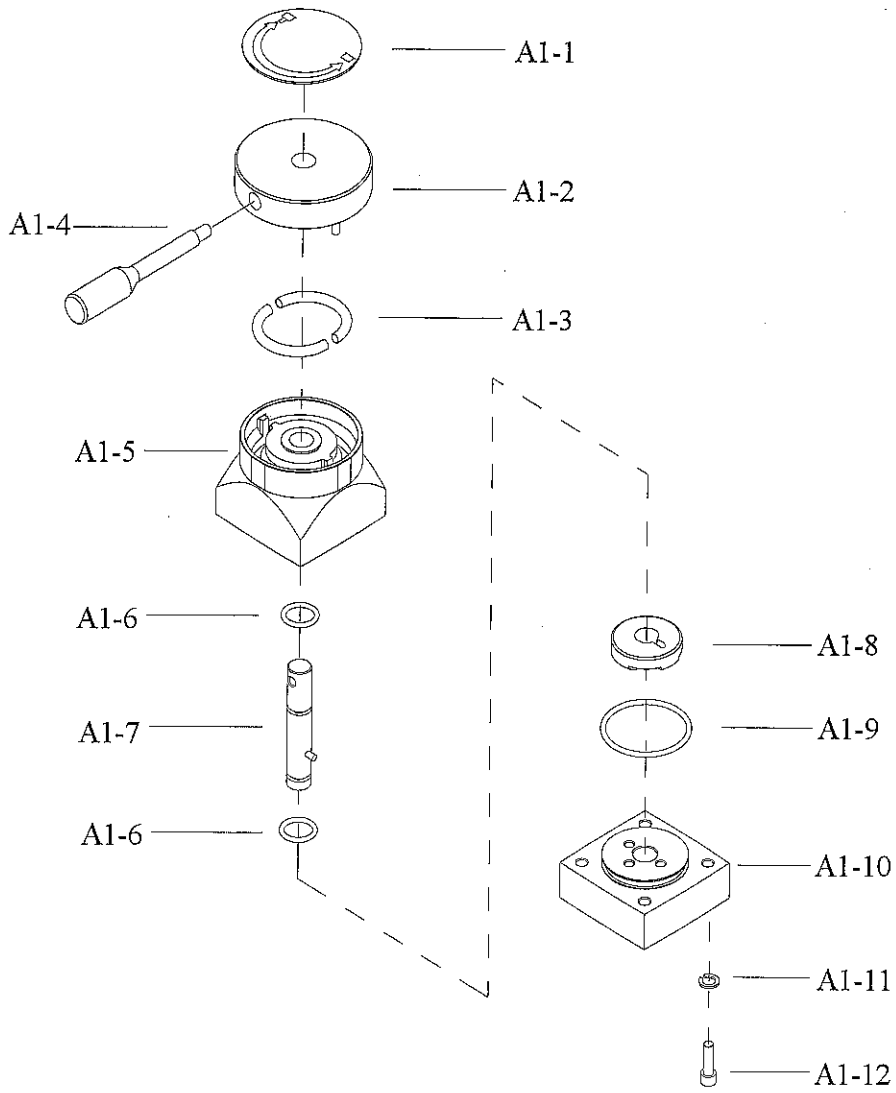
Operation Rod VLH



No.	PART NAME	QTY	No.	PART NAME	QTY	No.	PART NAME	QTY
A1	Hand Valve	1	A11	Oil Pipe	1	A19	Main Body FL	1
A2	Adaptor	2	A12	Handle Cover	2	A20	Windpipe	1
A3	Windpipe	1	A13	Screw	2	A21	Windpipe	2
A4	Adaptor	1	A14	Filter	1	A22	Screw	1
A7	Spring Gasket	1	A15	Filter Instruction	1	A23	Handle	1
A8	Screw	2	A16	Screw	2	A24	Gasket	2
A9	Adaptor	2	A17	Adaptor	1			
A10	Lock Code	2	A18	Spring Gasket	2			

Operation Rod Exploded View
Picture E

Hand Valve



No.	PART NAME	QTY	No.	PART NAME	QTY
A1-1	Label	1	A1-8	Valve Core	1
A1-2	Cover of Hand Valve	1	A1-9	O Ring	1
A1-3	Return Spring of Hand Valve	2	A1-10	Conversion Base	1
A1-4	Controlling Handle	1	A1-11	Spring Gasket	1
A1-5	Cover of Reversing Valve	1	A1-12	Screw	1
A1-6	O Ring	2			
A1-7	Shaft	1			

Hand Valve
Picture F