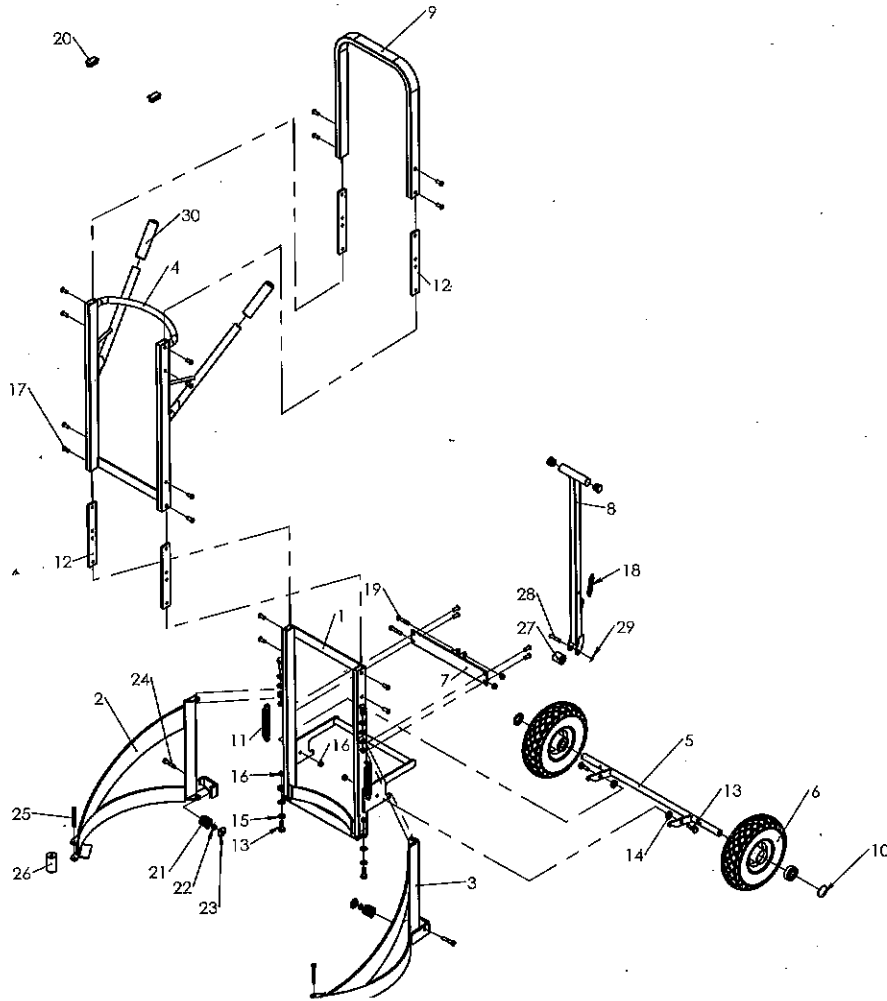


## Exploded Diagram & Part List



No.	Part No.	Description	Qty	No.	Part No.	Description	Qty
1	G 471147HD-1	Lower Frame	1	16	G 471147HD-16	Nut M8	8
2	G 471147HD-2	Right Clamp Arm	1	17	G 471147HD-17	Bolt M8 x 20 L	20
3	G 471147HD-3	Left Clamp Arm	1	18	G 471147HD-18	Extension Spring	1
4	G 471147HD-4	Upper Frame	1	19	G 471147HD-19	Bolt M8 x 45 L	2
5	G 471147HD-5	Wheel Axle	1	20	G 471147HD-20	End cap for rectangular tube	2
6	G 471147HD-6	Wheel	2	21	G 471147HD-21	Compression springs	2
7	G 471147HD-7	Push Rod's Support	1	22	G 471147HD-22	Hex nut M8	2
8	G 471147HD-8	Smart Push Rod	1	23	G 471147HD-23	Hex nut M8	2
9	G 471147HD-9	Extender	1	24	G 471147HD-24	Cam(Tapping)	2
10	G 471147HD-10	Cap for wheel hub,	2	25	G 471147HD-25	Hexagon bolt M8x45	2
11	G 471147HD-11	Main Spring	2	26	G 471147HD-26	Hexagon bolt M6x68	2
12	G 471147HD-12	Connection plate	4	27	G 471147HD-27	Roller	2
13	G 471147HD-13	Bolt M8 x 19.5 L	6	28	G 471147HD-28	Roller	1
14	G 471147HD-14	Black Washers	2	29	G 471147HD-29	Bolt	1
15	G 471147HD-15	Washers	8	30	G 471147HD-30	C clasp	1
					G 471147HD-31	Handle Grip	2