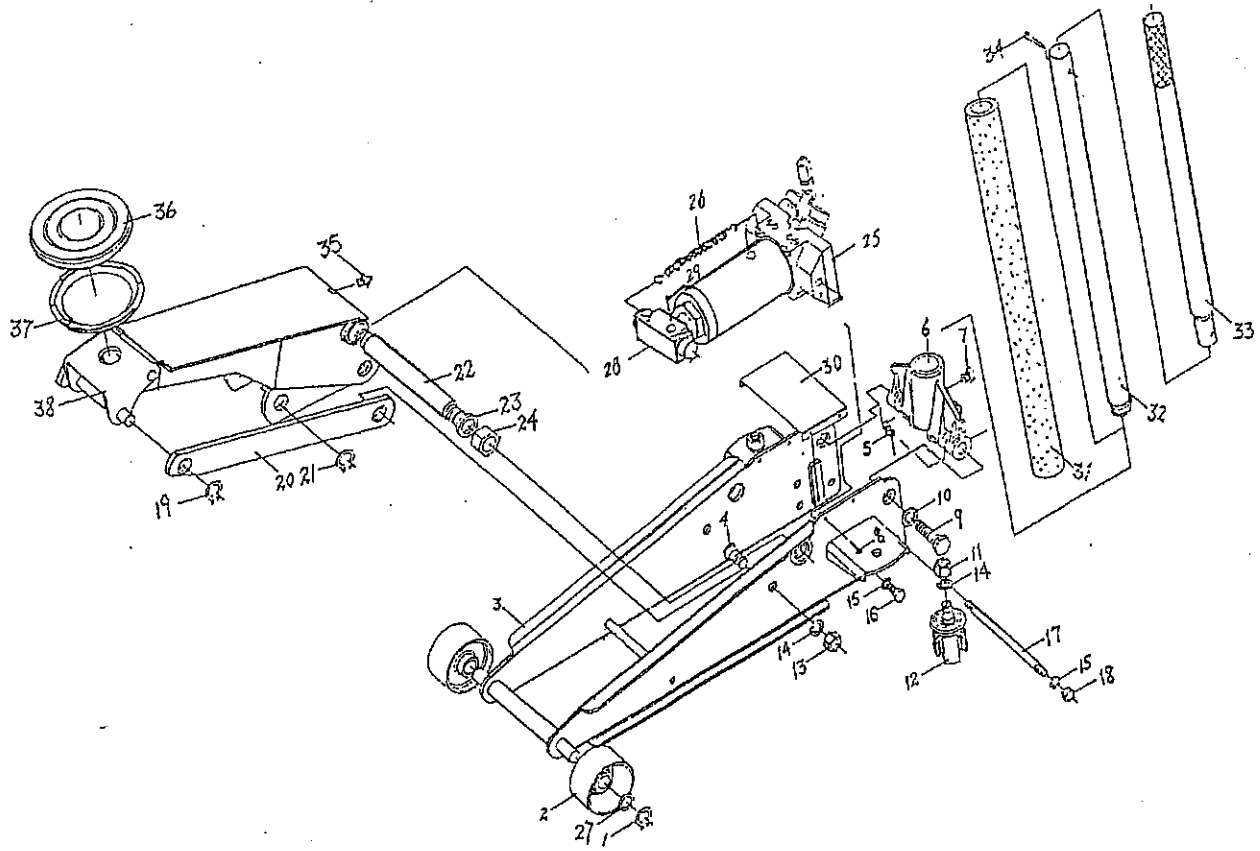


3.Ton  
Double piston

Spare Part List



Model No. Y420300

| Pos. | Art. No.   | Description       | Pos. | Art. No.   | Description       |
|------|------------|-------------------|------|------------|-------------------|
| 1    | Y420300-1  | Retaining Ring    | 22   | Y420300-22 | Shart Arm         |
| 2    | Y420300-2  | Wheel             | 23   | Y420300-23 | Spring Washer 24  |
| 3    | Y420300-3  | Side Plate Assy   | 24   | Y420300-24 | Hex Nut M24       |
| 4    | Y420300-4  | Bolt              | 25   | Y420300-25 | Power Unit Assy   |
| 5    | Y420300-5  | Torsion Spring    | 26   | Y420300-26 | Spring            |
| 6    | Y420300-6  | Handle Socket     | 27   | Y420300-27 | Washer            |
| 7    | Y420300-7  | Bolt              | 28   | Y420300-28 | Block Linkage     |
| 8    | Y420300-8  | Screws            | 29   | Y420300-29 | Split Pin 4x25    |
| 9    | Y420300-9  | Bolt              | 30   | Y420300-30 | Inspection Plate  |
| 10   | Y420300-10 | Spring Washer 18  | 31   | Y420300-31 | Handle Bumper     |
| 11   | Y420300-11 | Hex Nut M16       | 32   | Y420300-32 | Handle Lower      |
| 12   | Y420300-12 | Caster Assembly   | 33   | Y420300-33 | Handle Upper      |
| 13   | Y420300-13 | Hex Nut M16       | 34   | Y420300-34 | Hex Bolt M6x35    |
| 14   | Y420300-14 | Spring Washer 16  | 34   | Y420300-35 | Grease Fitting    |
| 15   | Y420300-15 | Spring Washer 12  | 36   | Y420300-36 | Rubber Saddle Pad |
| 16   | Y420300-16 | Hex Bolt M12x20   | 37   | Y420300-37 | Saddle            |
| 17   | Y420300-17 | Pull Rod          | 38   | Y420300-38 | Lift Arm Assembly |
| 18   | Y420300-18 | Hex Nut M12       |      |            |                   |
| 19   | Y420300-19 | Retaining Ring    | FW   | Y420300-FW | Front Wheel       |
| 20   | Y420300-20 | Long Linkage      | RK   | Y420300-RK | Repair Kit        |
| 21   | Y420300-21 | Retaining Ring 25 | RW   | Y420300-RW | Rear Wheel Kit    |